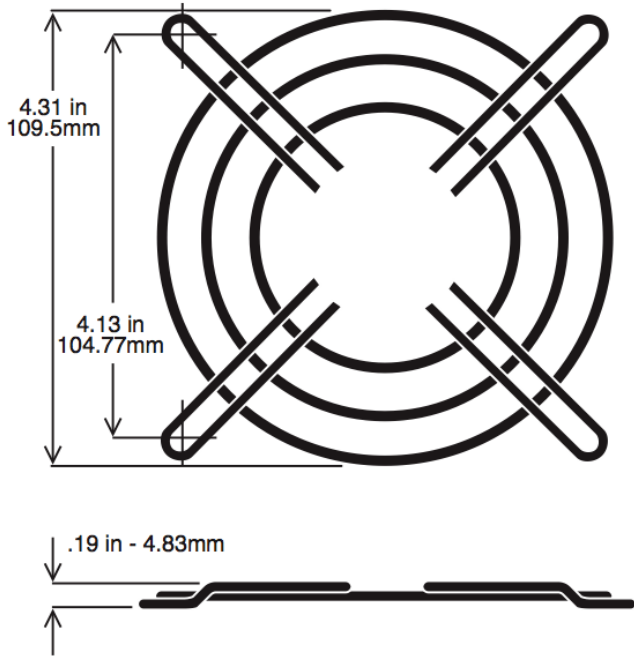


# G109 Series

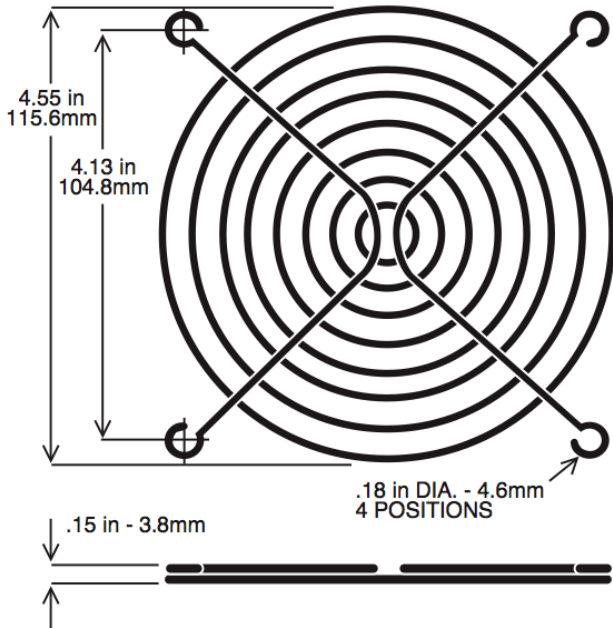


## Fan Guards for 120mm Fan



Model Number	G109-3A
Ring Diameter	1.6mm
Rib Diameter	1.6mm
Finish	Bright Nickel Chrome

Model Number	G109-3A/PK
Description	10-Pack G109-3A Guards, Boxed



Model Number	G109-15-1
Ring Diameter	1.8mm
Rib Diameter	1.8mm
Finish	Bright Nickel Chrome

Model Number	G109-15-1/PK
Description	10-Pack G109-15-1 Guards, Boxed

Model Number	G109-15B-1
Ring Diameter	1.8mm
Rib Diameter	2.3mm
Finish	Black

Model Number	G109-15B-1/PK
Description	10-Pack G109-15B-1 Guards, Boxed

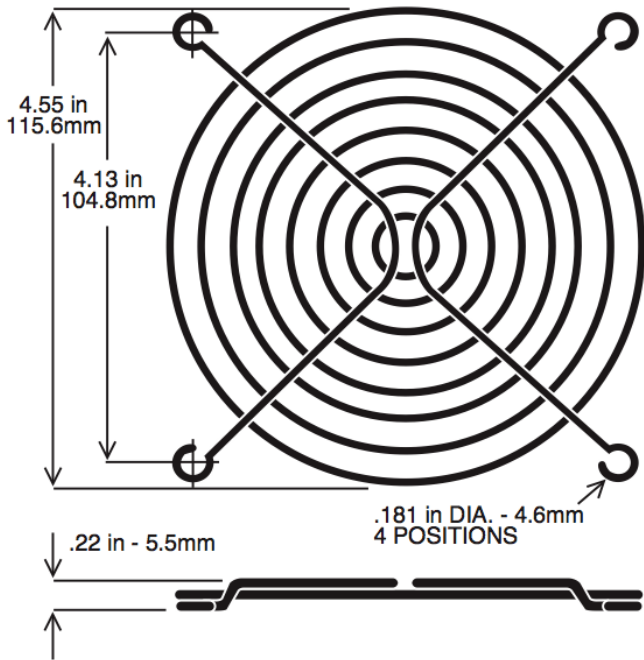
### Notes for G109 Series

1. Material: C1008, Bright Basic WIRE
2. Weld Joints to Withstand 88lbs Pull Force
3. General Tolerance Unless Noted  $\pm 0.5\text{mm}$
4. Part Meets 6.35mm Plug Gauge Test

# G109 Series



## Fan Guards for 120mm Fan

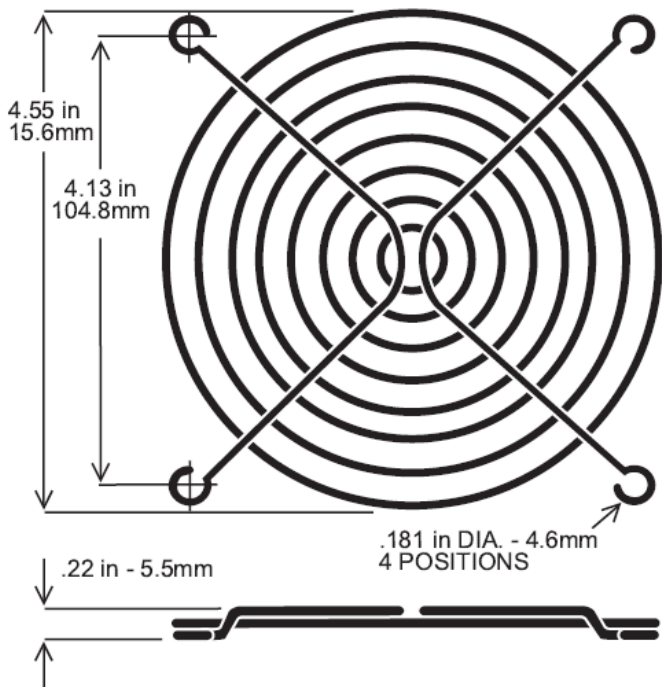


Model Number	G109-15A1
Ring Diameter	1.8mm
Rib Diameter	1.8mm
Finish	Bright Nickel Chrome

Model Number	G109-15A/PK
Description	10-Pack G109-15A Guards, Boxed

Model Number	G109-15AB
Ring Diameter	1.8mm
Rib Diameter	1.8mm
Finish	Black

Model Number	G109-15AB/PK
Description	10-Pack G109-15AB Guards, Boxed



Model Number	G109-15SS
Ring Diameter	1.8mm
Rib Diameter	1.8mm
Finish	Stainless Steel

Model Number	G109-15SS/PK
Description	10-Pack G109-15SS Guards, Boxed

### Notes for G109 Series

1. Material: C1008, Bright Basic WIRE
2. Weld Joints to Withstand 88lbs Pull Force
3. General Tolerance Unless Noted  $\pm 0.5\text{mm}$
4. Part Meets 6.35mm Plug Gauge Test