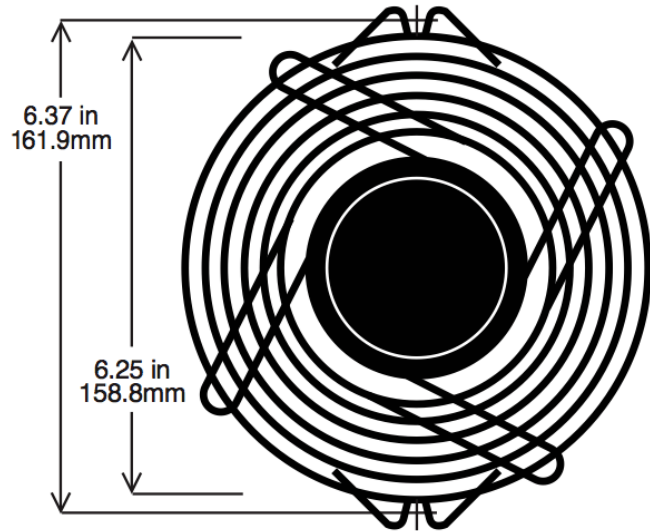


Part No. G162-12



Fan Guard for
162/172 mm Fan



NOTES:

1. MATERIAL: C1008 BRIGHT BASIC WIRE
2. FINISH: BRIGHT NICKEL CHROME
3. RINGS: 1.6MM dia. / RIBS:1.6MM dia
4. WELDS TO WITHSTAND 88LBS PULL FORCE
5. GENERAL TOLERANCE UNLESS NOTED +/-0.5MM
6. PART MEETS 6.35MM PLUG GAUGE TEST
7. UNIT: MM

| Part Number | Description |
|-------------|-----------------------------|
| G162-12 | 162/172 mm fan guard, metal |

Matching Fan Series

OA162, OA172 , OD172, OA5920