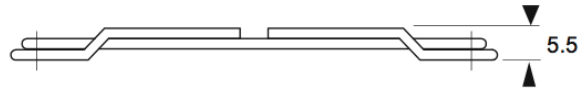


NOTES:

1. MATERIAL:C1008 BRIGHT BASIC WIRE
2. FINISH:BRIGHT NICKEL CHROME
3. RINGS: 1.8MM DIA / RIBS: 3.3MM DIA
4. WELDS TO WITHSTAND 88LBS PULL FORCE
5. GENERAL TOLERANCE UNLESS NOTED +/-0.5MM
6. PART MEETS 6.35MM PLUG GAUGE TEST
7. UNIT: MM

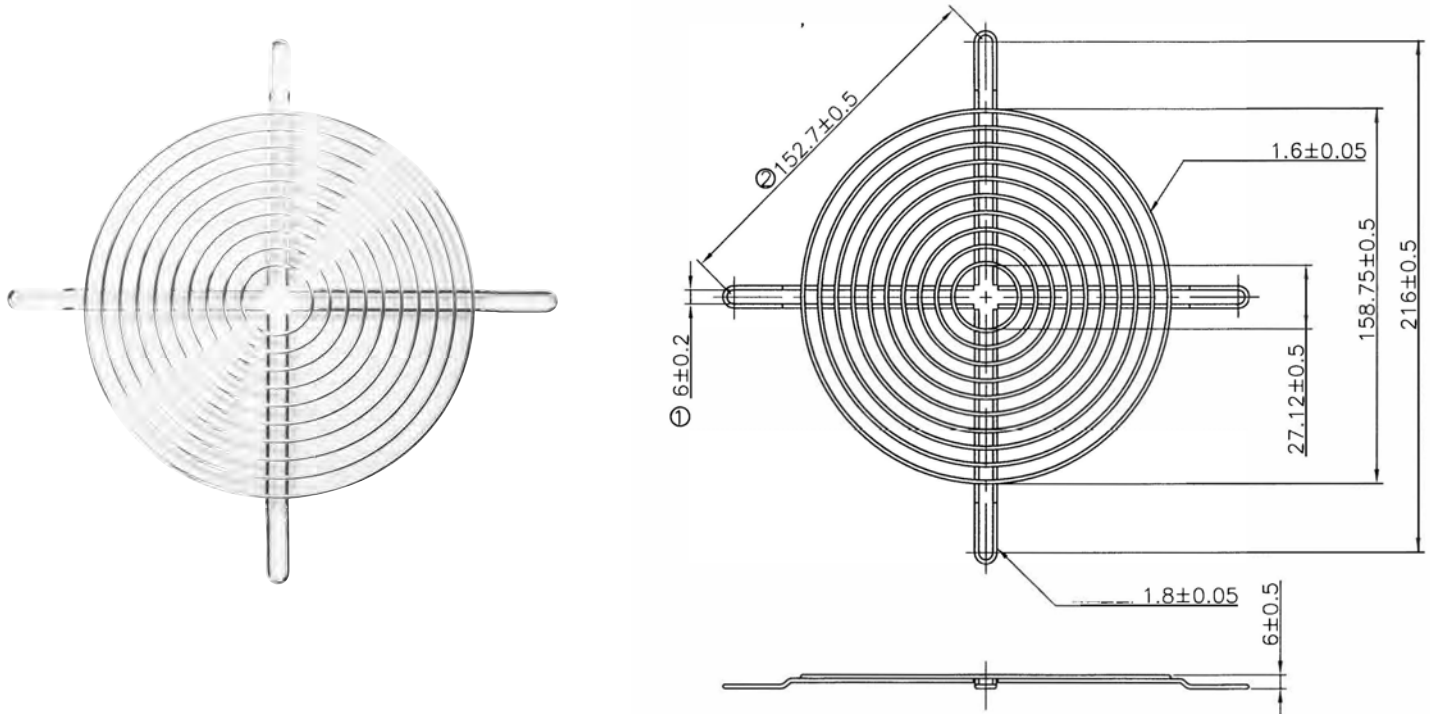


Part Number	Description
G180-11	180mm fan guard, metal
G180-11/PK	10-Pack G180-11, Boxed

Part No. G180-MG18



Fan Guard for
180mm Fan



NOTES:

- 1. MATERIAL: C1008 BRIGHT BASIC WIRE
- 2. FINISH: BRIGHT NICKEL CHROME
- 3. RINGS: 1.8MM DIA / RIBS: 3.3MM DIA
- 4. WELDS TO WITHSTAND 88LBS PULL FORCE
- 5. GENERAL TOLERANCE UNLESS NOTED +/-0.5MM
- 6. PART MEETS 6.35MM PLUG GAUGE TEST
- 7. UNIT: MM

Part Number	Description
G180-MG18	180mm fan guard, metal
G180-MG18/PK	10-Pack G180-MG18, Boxed