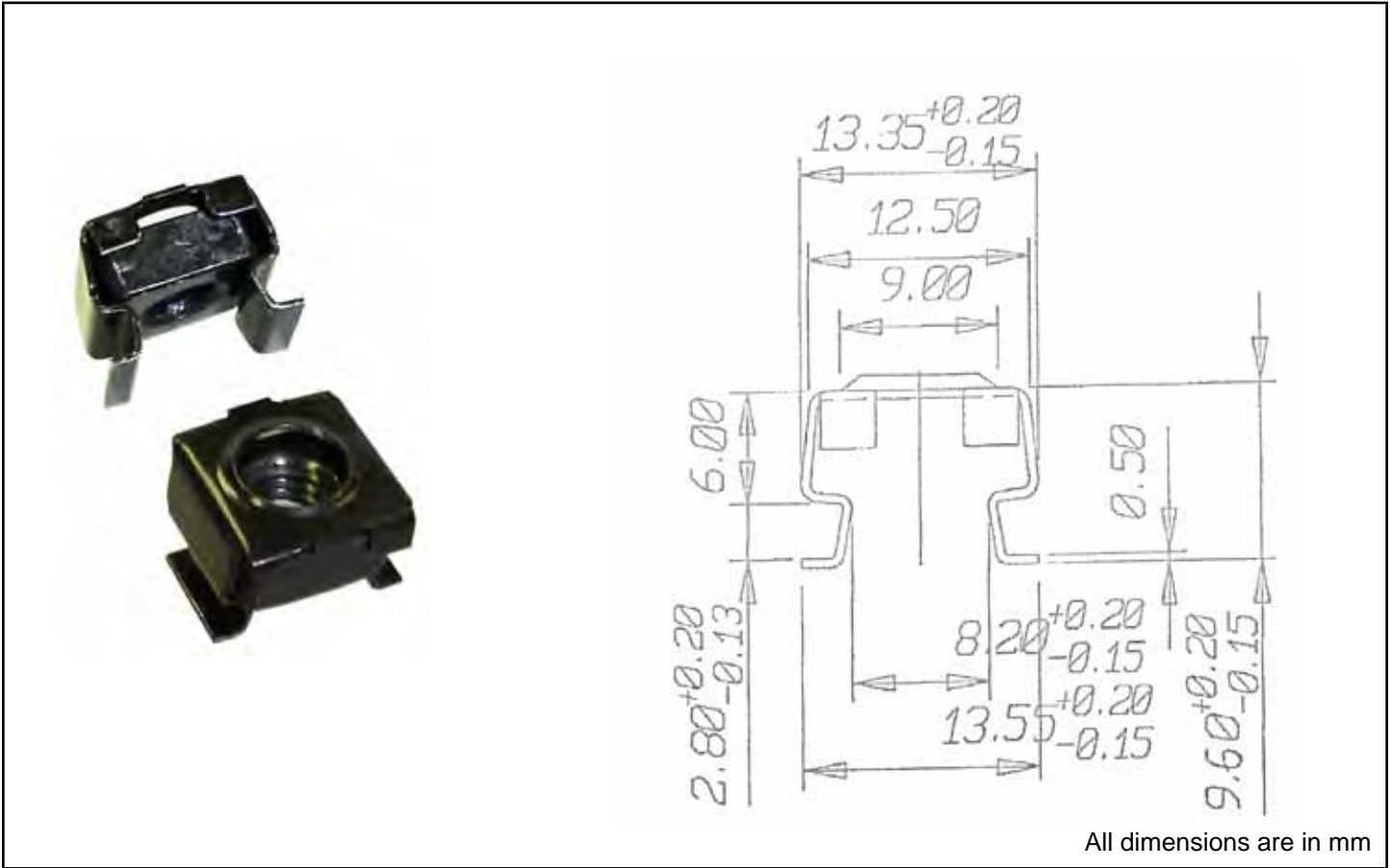




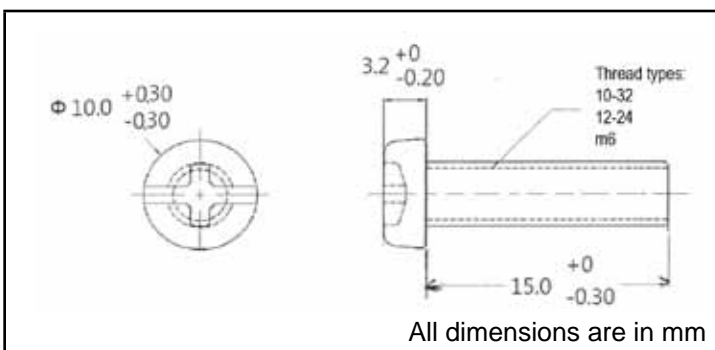
Dimensions = mm



Orion Cage Nuts for square holes

Part Nos:

OCN-1032* (10-32 thread), OCN-1224* (12-24 thread), OCN-M6* (M6 thread)



Orion Cage Nut Screw

Part Nos:

OCN-1032SCW* (10-32 thread)

OCN-1224SCW* (12-24 thread)

OCN-M6SCW* (M6 thread)

OCN-1032WS* (Orion Cage Nut Washer)

OCN-1224WS* (Orion Cage Nut Washer)

* Add "PK" to P/N for 25 piece packs

Orion Cage Nuts & Screw material:
Black Zinc plated steel

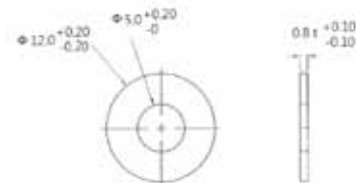
Orion Cage Nut Washer - PVC 0.8 x 5 x 12

Sold in hardware packs only:

OCN1032RHHDWPK

OCN1224RHHDWPK

OCNM6RHHDWPK



Hardware sold separately